

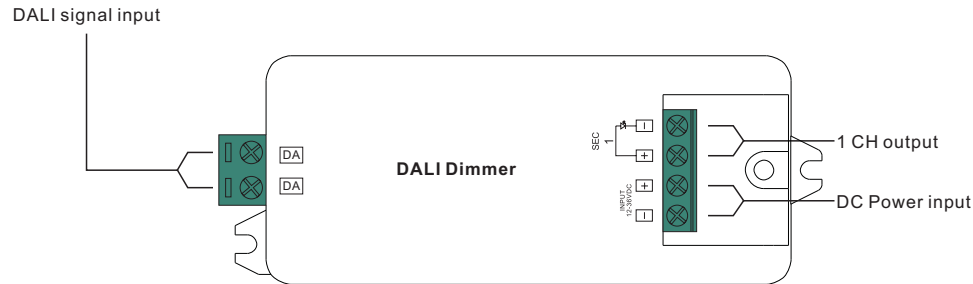
DALI Dimmable Driver(1 channel)

09.2303S.04077



Important: Read All Instructions Prior to Installation

Function introduction



Product Data

| No. | Input Voltage | Output Current | Output Power | Remarks | Size(LxWxH) | DALI Consumption | Dimming Range | Ambient Temperature |
|-----|---------------|----------------|---------------|------------------|-------------|------------------|---------------|---------------------|
| 1 | 12-36VDC | 1x8A | 1x(96-288)W | Constant voltage | 95x37x20mm | 2mA | 0.1%-100% | -20°C ~ +50°C |
| 2 | 12-36VDC | 1x350mA | 1x(4.2-12.6)W | Constant current | 95x37x20mm | 2mA | 0.1%-100% | -20°C ~ +50°C |
| 3 | 12-36VDC | 1x700mA | 1x(8.4-25.2)W | Constant current | 95x37x20mm | 2mA | 0.1%-100% | -20°C ~ +50°C |

- Comply to DALI standard protocol IEC 62386-102, IEC 62386-207 and in compliance with DALI products from other international incorporation.
- 1 DALI address input, 1 channel PWM output

Safety & Warnings

- DO NOT install with power applied to device.
- DO NOT expose the device to moisture.

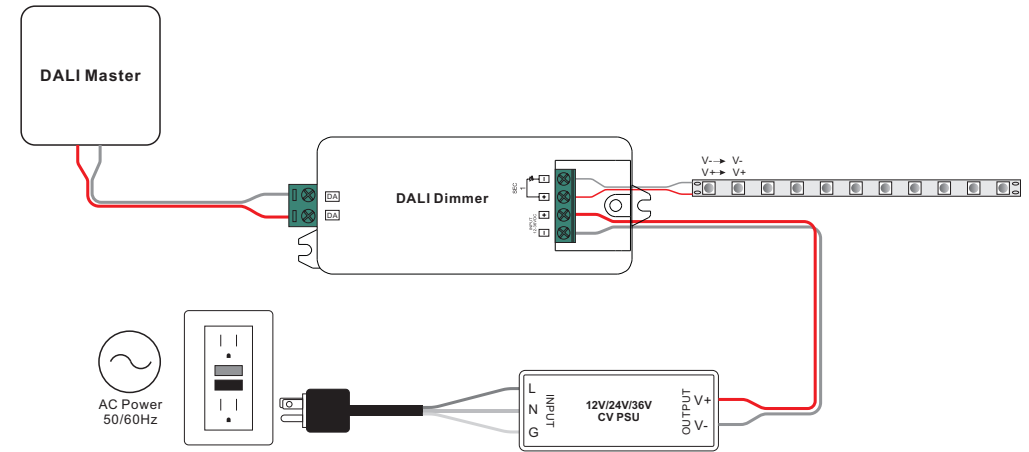
Operation

Do wiring according to connection diagram.

DALI Address Assigned by DALI Masters

This product is designed with 1 DALI address input and 1 channel output, DALI address is assigned by DALI Master controller automatically, please refer to user manuals of compatible DALI Masters for specific operations.

Wiring Diagram



Conformity & Standards

- Radio Frequency Interference according to EN 55015:2013
- Immunity standard according to EN 61547:2009
- TÜV Rheinland marked, CE marked

Product Dimension

